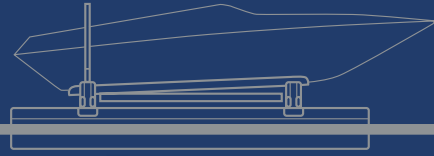
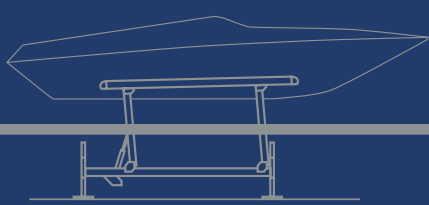


Your gateway to boating™



www.sunstreamcorp.com



Your gateway to boating™

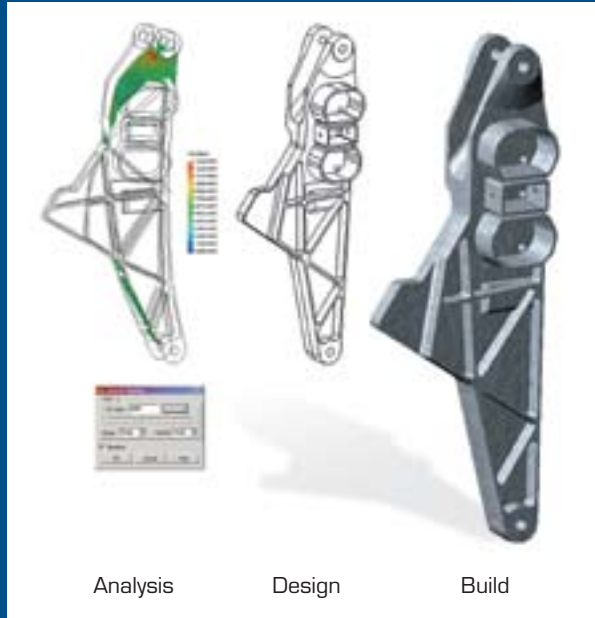
Imagine if using your boat was as easy as taking your car out of the garage. Having it ready in seconds. Preserving its original brilliance. Resting assured, knowing it's safer from damage. For owners of Sunstream boat lifts, this is their daily reality.

By harnessing proven hydraulic technology with a remote control, Sunstream leads the industry with fast, reliable hydraulic lifts that are designed to get you out to play. With a Sunstream lift, you'll use your boat like your car. You'll be on the water in seconds. The handy remote control operation and functional design make docking easier for boaters of any experience level.

The aesthetically pleasing design preserves your waterfront views, and is preferred by homeowners, marinas and condominium associations.

After setting new industry standards for nearly a decade, Sunstream hydraulic lifts are a tremendous advancement over hoist systems of the past that rely on cables or air tanks. On a Sunstream lift, your boat is kept safe with the use of powerful hydraulic technology and advanced mechanisms unique to Sunstream, such as the GravityLock™ and the patented, hull-cushioning, SuperBunk™.

By protecting your boat and keeping it clean with a Sunstream lift, you'll spend more time on the water.



Powerful technology, precision craftsmanship and sophisticated engineering give you the protection you need and the high-performance you deserve.

The preferred lift of the US Government.



Maximize your boating experience

Use your boat like your car

Sunstream boat lifts are designed to get you out to play. Once Sunstream takes away the hassles of maintaining the hull, launching and storing, you'll find yourself using your boat more often, almost like you use your car. *From the helm or the dock*, press the button on your key-chain remote to lower your craft, and in seconds, you'll be on your way. When you return, the lift gently guides you into place, almost docking the boat for you as it raises your boat. No hassles with dock lines or fenders. Your days of jumping for an approaching dock are over.

An invisible, hydraulic lift

Sunstream lifts fit your lifestyle, whether you store your boat in fresh or saltwater. The combination of quiet operation and a hidden structure beneath the boat makes the Sunstream lift an excellent choice where view protection is desired or required by homeowners' association covenants or marina rules. With your choice of solar or AC charging, you'll have a safe, fully automatic lift regardless of your dock power or mooring location.

Just as boat design has become more highly developed, so has the boat lift. Sunstream leads the industry in building quality lifts that give you more. More reliability. More performance. More protection. No cables to break. No pilings to drive. No leaking air tanks. No cranking. No waiting. Sunstream lifts are designed to maximize your boating experience.

Protect your investment

A lift increases the life of your craft, and protects it from the hazards of fresh or saltwater exposure, marine growth, sun, grime and floating debris. Using a lift reduces the chance of osmotic blisters forming and keeps your boat performing at its optimum level. Dry storing your boat provides a *higher resale value, and reduces your insurance premiums*. Insurers recognize that more than 85% of boats that sink, do so at the dock, often from simple mishaps, such as leaving on a battery-draining light that makes the bilge pump inoperable.

"I highly recommend Sunstream's state-of-the-art boat lifts to our Cobalt customers. Sunstream's advanced technology makes boating much more enjoyable."

— Pack St. Clair, CEO, Cobalt Boats

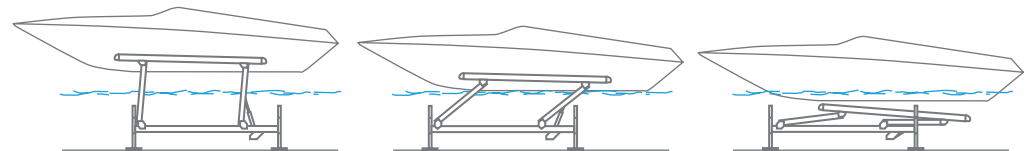
The Sunstream SunLift performs light-years above outdated cable lift systems. By combining powerful hydraulic technology, durable components and sophisticated engineering, the SunLift gives you a faster, more reliable and better performing lift. View-blocking pilings, maintenance-prone cables and unsightly davits of old fashioned systems are things of the past. Because there are no pilings, even after the SunLift has been securely anchored, it could be easily moved as your lifestyle or the season dictates.

Powerful enough to quickly lift up to 24,000 pounds, the SunLift makes boating easy and safe for the entire family. Remote control operation and guide-on systems make operating and docking easy for even the most inexperienced skipper. And it's safe. AC or solar charged, the SunLift operates on low voltage, and has no risk of breaking cables.

Start using your boat as you would your car. With only seconds to launch – *head out for a quick spin*. When you return, store your boat safely until you're ready to go out and play again.



Patent No's. 5908264, 6830410B2, D487423S, D484450, D484086S, 6976442, 60621520



Put your boat on a pedestal

As you walk down the dock, use your remote control to lower your boat enough to start your engine. Next, simply lower the lift further into the water to release your boat. When you return, glide onto the lift and let the angled bunks assist you in centering and stopping. Now there's no need to scramble for fenders and dock lines.



Keep your entire boat clean with a durable SunLift Canopy.

The SunLift makes docking easier even with wind and current.

Homeowners, condos and marinas ask for the virtually invisible SunLift.

"My SunLift has performed flawlessly since its installation. It has met my highest expectations – especially the speed of removing and launching my boat."

— Larry Zettwoch, Florida customer

**Sunstream
SunLift™**



GravityLock™ – an added safeguard

Sunstream's patented design gives you double-protection with a unique mechanical over-center GravityLock system that automatically locks the frame in place when completely raised. Considering that 85% of sinking boats are lost at the dock, you won't need to worry while you are away.



Heavy-duty hydraulics – longer life

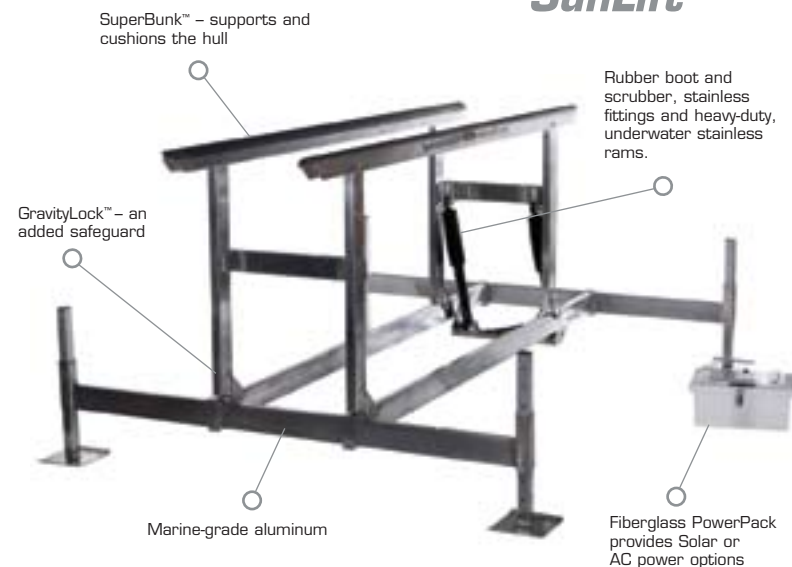
Used in fresh and saltwater with years of maintenance-free performance, Sunstream's custom designed hydraulic cylinders self-clean with underwater bronze scrapers that keep debris out. Sunstream's specially designed rubber boot and scrubber, stainless hose fittings, stainless steel rams and non-metallic hoses resist corrosion. An unmatched Sunstream warranty covers all of the lift's components for three years.



SuperBunk
Patent No. 6830410

SuperBunk™ – support and cushion your hull

Only Sunstream gives you the patented SuperBunk. Unlike the wooden, carpeted bunk that can scrape your hull, traps dirt and needs replacing frequently, the rubber-capped, aluminum SuperBunk protects your hull, keeping it free from scratches and rug burns. The advanced spring-beam design of the SuperBunk distributes the load, spreading support along your hull. And, because the materials are more resistant to harsh marine conditions, they last significantly longer.



**Capacities from 2,000 to 24,000 lbs
(907–10,886 Kg)
Solar or AC power options**

Only Sunstream gives your craft this level of protection and durability. Chrome-plated, stainless rams and fittings, a marine-grade aluminum structure, rubber boot and scrubber, stainless steel hardware, and environment-friendly, water-soluble SunFluid™ hydraulic fluid are all essentials that give you reliable operation. Durable for the longterm, the exclusive, compact, fiberglass Powerpack box looks clean and tidy on your dock, and won't degrade like a plastic tote box.

The proven FloatLift has earned its position as the leader in free-floating lifts. Because it ties like a boat and its hydraulic system can operate on solar power, the FloatLift protects your boat virtually anywhere—a buoy, dock or marina; fresh, salt, shallow or deep water. With no dock brackets needed, you'll have the freedom to take it with you if you move.

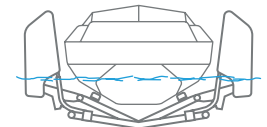
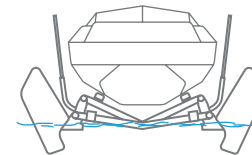
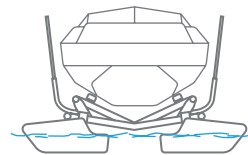
The FloatLift. It's fast. It's unsinkable. It's safe and easy enough for even the most inexperienced boater to operate with a remote control from the helm or dock. And, it's the only floating lift that you can cover, using the Sunstream HoverCover™. There's no need to worry about leaking air, tipping tanks, complicated valve systems, dock modification or dock AC requirements typical of air displacement hoist systems. The speed, portability, and view preserving qualities of the FloatLift make it an excellent choice over a piling cable lift. These are just a few of the reasons why marinas and condominiums across the world approve Sunstream's superior lifts.

Quickly access the water in just seconds, making the FloatLift the gateway to your next boating interlude.



...a buoy, dock or marina; fresh, salt, shallow or deep water

Patent No's. 6032601, 6823809B2, 6830410B2, D487423S, D484450, D484086S



As easy as operating a garage door opener

From the driver's seat or the dock, use the smart up and down buttons on a key-chain to raise or lower your boat. When you return, the foam-filled floats guide your landing, and secure and lift your boat with a smooth, level motion. All of this in seconds, not minutes, with no fear of tipping tanks.



Lifting capacity up to 15,000 lbs (6,804 Kg)

Stable floats make routine maintenance easy.

The floats double as a helpful guidance system that assists in stopping your boat.

Competing Technologies

	FloatLift™	Competing Technologies
Lift Speed (Typ)	30 seconds	Several minutes
Launch Speed (Typ)	18 seconds	Several minutes
Operation	Key-chain remote, helm or dock	Valves on dock
Minimum Water Depth	12 inches under hull (typ)	4.5 to 6 feet
Power	12V, Solar or AC charged	110/220V AC
Flotation	Unsinkable, foam-filled pontoons	Air tanks
Securing Requirements	Lines – ties like a boat	Dock brackets
Frame and Fasteners	Aluminum and stainless steel	Galvanized steel
Bunk System	SuperBunk™ Rubber Bunk	Carpeted wood
Cover	Optional HoverCover	Not Available
Level Lifting	Yes	No



Sunstream HoverCover™ – Your private, floating boathouse

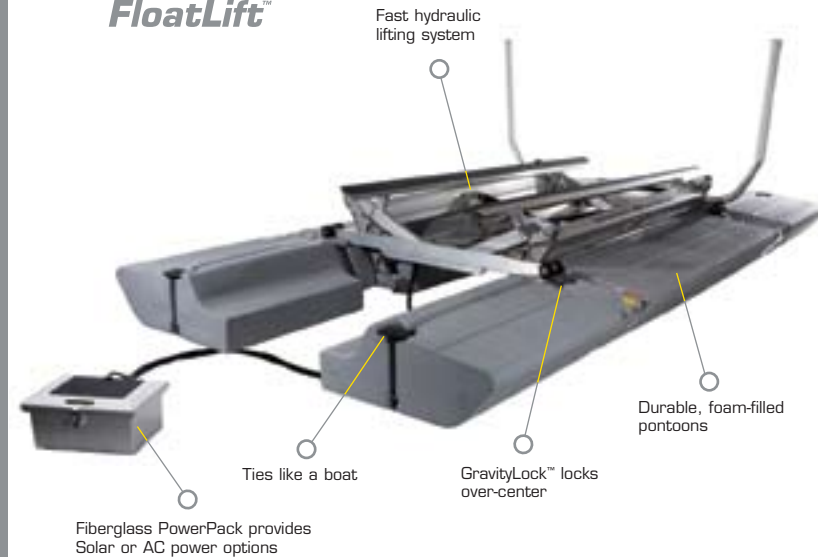
Protect your boat even on a mooring with Sunstream's exclusive HoverCover™ (Patent Pending). Unlike any other top, the HoverCover automatically lifts as the FloatLift lowers, simplifying boarding. With the snug protection of the HoverCover, forget the hassles of having to mess with a cover each time you use your boat.



"This is a phenomenal product. I have one for my own boat and I highly recommend it. You will improve the resale value of the boat if you do not bottom paint it and if you store it out of the water."

— Stephen Heese, President, Chris-Craft

Sunstream FloatLift™



Capacities up to 15,000 lbs (6,803 Kg)
Solar or AC power options

A complete selection of accessories is available for the FloatLift line. The one-of-a-kind translating HoverCover protects your boat at virtually any location. Make docking easier with a Motorstop. Operated from the remote control, underwater lights and Powerpack lights make twilight or evening docking a breeze.

Small Craft Lifts

An invitation to play

The Sunstream smaller-scale lifts offer huge enhancements to the way you use your craft. Ready when you are, these lifts invite you to use your boat more often. The free-standing SunLift Mini™ and the dock-mounted DockJock™ sport a low profile design that keeps the lift out of site.

The **Sunstream SunLift Mini** is ideal for lifting your PWC, dingy or small jet boat. It gives you the same high-performance that Sunstream builds into its SunLift line, in a smaller package. With the high-speed hydraulics, lower your boat quickly and smoothly in seconds, by using the pendant or optional remote control. The solar charging option gives you a fully automated lift even without dock power.

The **Sunstream DockJock** allows easy, unobstructed boarding and provides an uncluttered appearance on your dock. This compact lift mounts to your dock at any water depth, giving you flexibility to use your space efficiently.

As in all Sunstream products, thick marine-grade aluminum and stainless steel fasteners make the lifts corrosion resistant, lightweight, and easy to install.



DockJock™



Fully automatic, AC or DC powered models are the ultimate in convenience. DC units can be powered by a Sunstream Powerpack or deep cycle marine battery.

SunLift Mini™



"Who would have thought it would be so easy to get my PWC in and out of the water?"

— Brent Allen, PWC enthusiast

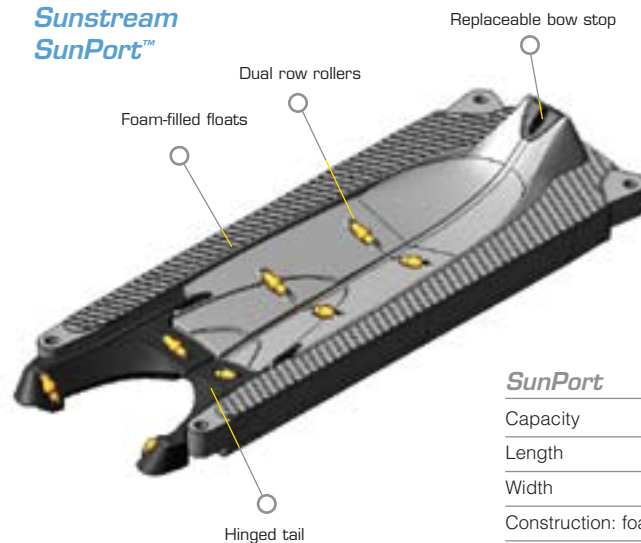
The Sunstream SunPort is the smoothest loading and safest drive-on port. The design eliminates common ease-of-use and durability problems typically associated with PWC lifts. The innovative hinged-tail drops to provide a shallow entry for smooth loading and unloading and requires minimal throttle to load. The tail design also incorporates a wide-mouth guide that catches and positions the bow of the PWC, making angled approaches possible. The SunPort is foam-filled which eliminates sinking concerns and the replaceable bow stop greatly decreases the risk of injury and equipment damage.

The dual rows of rollers provide stable side-to-side support for the PWC and greatly reduce the effort required to launch your PWC. The entry is designed to minimize marine growth contact to the hull when loading. The SunPort is the longest single craft drive-on PWC lift in its class, enabling today's larger PWC's to float higher out of the water.

For a complete package, add the QuickCover™, which gives better protection and is faster to use than a trailer cover, while providing additional theft protection for your PWC.



Sunstream SunPort™



SunPort QuickCover™

The QuickCover is attached to the bow stop, rolls into a mesh net when out playing, and clips on to the rear of the lift for protection while you are away. (See photos to right.)



SunPort

Capacity	1600lb	725 Kg
Length	13' 8"	4.16m
Width	4' 11"	1.49m
Construction:	foam-filled, polyethylene	

Additional Lifts

Specialized hull support

Sunstream applies the same expertise in design and engineering for specialized hulls and floatplanes.

Bunk Kits adapt Sunstream lifts to supports various hull types, including cat, sailboat and pontoon. Easily modify the SunLift or the FloatLift to support your catamaran. Lift your non-keel sailboat by adding a bunk kit to the FloatLift, or protect your keel boat with a SunLift kit.

Sunstream's aircraft lifts lead the industry. The fixed **Platform** lift slopes when lowered to create a natural ramp. The **SpinLift™** turntable offers 360° rotation for easier pre-flight inspection and for rotating your plane to the outgoing direction. The **Amphibian** lift provides dual catwalks for easy boarding, and a translating tail support to secure the plane.



Tritoon Bunks

FloatLift™ Cat Bunks



SunLift™ Cat Bunks



Sailboat Kits



Amphibian Plane Lift



SpinLift™ Plane Lift



"I have never used my plane as much as I do now. I love the SpinLift, not only for the convenience, but I feel much more secure."

— Gary Gaston,
Cessna 172 pilot

Canopies & Accessories

Finishing touches & protection your boat deserves

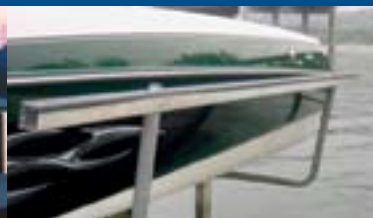
Sunstream offers several accessories for the SunLift. The sleek **P-Canopy** (Deluxe) and deep-sided **T-Canopy** protect your boat from the sun and debris. **Guide-ons** make docking easier and safer, **Load Guides** provide lateral guidance and a **Motorstop** positions you fore and aft. **Catwalks** provides access to your boat and **Shallow Water Rollers** give you the flexibility to use your SunLift in depths more shallow than any lift on the market. The **Powerpack Shelf** mounts the fiberglass Powerpack on the lift or at the edge of your dock. Remote operated **Underwater Lights**, **Canopy Lights** and **Powerpack Lights** (not pictured) improve evening boating.

Popular FloatLift accessories include the automatically retracting **HoverCover™** and useful **Motorstop**, which helps position the boat on the lift if you have an outdrive or outboard. Mount the Powerpack to the lift with the **Powerpack Shelf** or choose from a selection of **dock lines and securing kits**, including dock and mooring buoy systems.

For your dock Sunstream's **SoftStep™ Dock Ladders** are designed with your bare foot in mind. Extra-wide steps provide maximum stability and comfort.



SunLift™ Accessories



Shallow Water Rollers Patent Pending

Powerpack Shelf

Guide-ons

Underwater Lights for Night Landings

Load Guides

FloatLift™ Accessories



Motorstop

FloatLift™ Powerpack Shelf

SoftStep™

SunLift™ Catwalk Brackets

Specifications

Sunstream SunLift™

SunLift Model	SL2006AR	SL2008AR	SL3010	SL4010AR	SL6012AR	SL8012ER	SL10014ER	SL12018ER	SL18020ER	SL24022ER
Capacity (Kg)	907	907	1,361	2,041	2,948	3,629	4,536	5,443	8,165	10,886
Lifting Ranges* (m)	<u>0.91/1.23</u> 1.52	<u>0.91/1.23</u> 1.52	<u>1.23</u> "	<u>0.91/1.23</u> 1.52/(1.83)	<u>0.91/1.23</u> 1.52/(1.83)	<u>1.52/(1.83**)</u>	<u>1.52/(1.83**)</u>	<u>1.52/(1.83**)</u>	<u>1.52/(1.83**)</u>	<u>1.52/(1.83**)</u>
Capacity at Max. Lifting Range (Kg)	816	816	1,361	1,814	2,041	3,629	4,309	4,309	6,964	8,618
Bunk Length (m)	1.82	2.43	3.04	3.04	3.66	3.66	4.26	5.49	6.10	6.70
Frame Length (m)	2.41	2.41	3.20	3.20	3.81	3.81	4.42	5.64	6.24	7.32
Frame Width (m)	1.71	1.71	2.93	2.93	3.04	3.35	3.35	3.35	3.84	3.84
Weight (Kg)	90	95	204	249	297	454	476	680	907	1,134
Lifting Speed (Typ.)	15 sec	15 sec	15 sec	25 sec	35 sec	50 sec	50 sec	50 sec	55 sec	60 sec
Min. Water Depth Required (Typ.) (cm)	46	46	58	63	69	91	102	112	127	157
Min. Depth w/Shallow Water Roller (Typ.) (cm)	N/A	N/A	N/A	41	43	76	86	96	N/A	N/A
Remote Control	Opt.	Opt.	Opt.	Std.	Std.	Std.	Std.	Std.	Std.	Std.
Leg Lengths Available (m)	0.61-1.83	0.61-1.83	0.61-7.32	0.61-7.32	0.61-7.32	0.61-7.32	0.61-7.32	0.61-7.32	0.61-7.32	0.61-4.27
Available Canopies	P1260†	P1260†	P22108	P22108	P24114	P27126 P30126 P36126 P42126	P27126 P30126 P36126 P42126	P27126 P30126 P36126 P42126	Custom	Custom

* Some lifting ranges require optional arm extensions. Standard ranges are shown with underline (example: 0.91). ** Special order Model XR 72" Range. Special model numbers: SL8012XR, SL9514XR, SL9518XR, SL14220XR and SL19022XR. † Special order ONLY.

Sunstream FloatLift™

FloatLift Model	FL6012	FL10014	FL13018	FL13018W	FL15023D
Capacity (Kg)	2,722	4,763	5,897	5,897	6,803
Bunk Length (m)	3.66	4.27	5.49	5.49	7.01
Lift Length (m)	6.10	7.32	8.84	8.84	10.36
Lift Width UP Position (m)	3.23	3.38	3.38	4.08	3.38
Weight (Kg)	590	1,134	1,315	1,406	N/A
Launching Speed (Typ.)	18 sec	18 sec	40 sec	40 sec	40 sec
Water Depth Required (cm)	draft + 30	draft + 30	draft + 30	draft + 30	draft + 30
Remote	Std.	Std.	Std.	Std.	Std.
Minimum Slip Width (m)	3.66	4.27*	4.27*	4.88**	4.27*
Maximum Boat Beam (m)	2.62	3.23	3.23	3.66	3.23
Allowable Draft for V-Hull (m) †	0.50-0.55	0.86	0.86	0.86	0.86
Available Canopies	FA-H24108	FA-H30144	FA-H30144	N/A	N/A

Note: Specifications are subject to change without notice.

* Wider slip required for beams over 2.89 m. ** Wider slip required for beams over 3.20 m. † For Cat Hull allowable draft subtract 0.30 m

Sunstream SunLift Canopies

Deluxe Peaked Roof	P22108	P24114	P27114	P27126	P30126	P36126	P42126*
Length (m)	6.71	7.31	8.23	8.23	9.14	10.97	12.80
Width Between Uprights (m)	2.74	2.90	2.90	3.20	3.20	3.20	3.20
Cover Material (Std.)	vinyl	vinyl	vinyl	vinyl	vinyl	vinyl	vinyl
High Wind Kit	Opt.	Opt.	Opt.	Opt.	Opt.	Std.	Std.
For SunLift Models	SL3010 SL4010	SL6012	SL6012	SL8012 SL10014 SL12018	SL8012 SL10014 SL12018	SL8012 SL10014 SL12018	SL8012 SL10014 SL12018

Larger deluxe canopies available via custom engineering. * P42126 available via special order

Standard Colors
For Deluxe Peaked
Roof (at right) and
T-Canopy (below)



Other colors available by special order. Actual color may vary.
Optional Sunbrella fabric is available in many colors.



T-Canopy™	T24114	T27114
Length	7.31 m	8.23 m
Width Between Uprights	2.89 m (2.74 m*)	2.89 m (2.74 m*)
Cover Material (Standard)	Vinyl (green, grey or tan)	Vinyl (green, grey or tan)
Cover Material (Upgrade)	Sunbrella – all colors	Sunbrella – all colors
For SunLift Models**	SL3010*, SL4010*, SL6012	SL3010*, SL4010*, SL6012

* Requires spacers (Part #CA-TSP3) which reduces the canopy width to 2.74 m
** Mounts on most freestanding lift models



Sunstream FloatLift Canopies

HoverCover™	FA-H24108	FA-H30144*
Length (m)	7.32	9.14*
Width Between Uprights (m)	2.74	Min 2.89 Max 3.20
Cover Material	Sunbrella® Canvas	Sunbrella® Canvas
Standard Colors	Captain Navy	Captain Navy
Lift Model	FL6012	FL10014*, FL13018*
Translating Action	Yes	Yes
Max. Boat Height without HC Extensions (m) †	N/A	2.61

* Not for use with mooring buoy application. † Boat height = hull draft + bridge clearance.



Standard Color
For HoverCover



Captain Navy

Sunstream Small Craft Lifts

DockJock Models	DJ1000A4	DJ1000A6	DJ1000D4	DJ1000D6
Power Source	A/C power	A/C power	D/C power	D/C power
Capacity (Kg)	454	454	454	454
Lifting Range (m)	1.23	1.82	1.23	1.82
Track Length (m)	1.82	2.44	1.82	2.44
Arm Width (m)	1.02	1.02	1.02	1.02
Optional Extended Length (m)	1.52	1.52	1.52	1.52
Weight (Kg)	55	61	55	61

SunLift Mini

	SL2006AR	SL2008AR
Capacity (Kg)	907	907
Lifting Ranges (m)*	0.91/1.23/1.52	0.91/1.23/1.52
Capacity at 48" & 60" Lifting Range (Kg)	816	816
Bunk Length (m)	1.82	2.43
Frame Length (m)	2.41	2.41
Frame Width (m)	1.71	1.71
Weight (Kg)	91	95
Lifting Speed (Typ.)	15 sec	15 sec
Min. Water Depth Required (Typ.) (cm)	46	46
Remote Control	Opt.	Opt.

* Some lifting ranges require optional leg extensions. Standard range is 0.91 cm.

SunPort™

Capacity	725 kg
Length	4.16 m
Width	1.49 m
Height	.61 m
Draft	10.6 cm
Weight	113 kg

Specifications can vary due to several factors.



www.sunstreamcorp.com

© 2009 Sunstream Corporation. All rights reserved. Sunstream, the Sunstream logo, DockJock, FloatLift, GravityLock, SpinLift, SoftStep, SunFluid, HoverCover, EcoCanopy, SunLift Mini, SunLift, SunPort, QuickCover, and Your gateway to boating are trademarks of Sunstream Corporation. Other products mentioned herein are the trademarks of their respective owners.



Seattle • Chicago
22149 68th Avenue South
Kent, WA 98032
USA

The world leader, with local sales and service

www.sunstreamcorp.com
info@sunstreamcorp.com
1-888-786-5438 USA, Canada
001-253-395-0500 International

METRIC EDITION
MK-CBF09M